



CheckMate™ Lawn and Athletic Field Striping Kits

1125 Mak Tech Dr. Suite C



Lansing, MI 48906



800.411.0150

[www.bigleaguelawns.com](http://www.bigleaguelawns.com)



## CheckMate™ Lawn Striping Kit For Simplicity Courier Installation Guide

### Important

Big League Lawns, LLC warrants their products to be free of defects in material and workmanship. This warranty does not cover defects due directly or indirectly to misuse, abuse, normal wear and tear, failure to properly maintain the product or used for a purpose other than that for which it is intended. The duration of this warranty is expressly limited to one year parts and labor beginning from the date of delivery to the original customer.

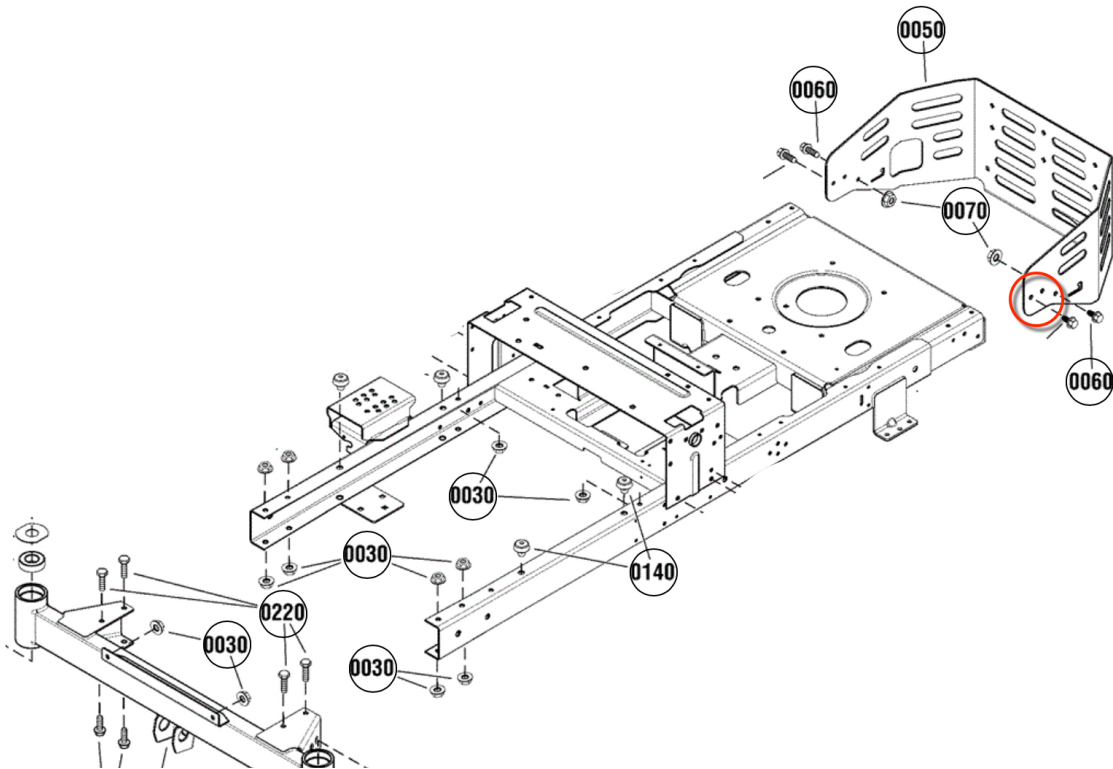
The obligation of Big League Lawns, LLC is limited solely to the repair or replacement, at our option, at its factory or authorized repair agent of any part that should prove deficient. Purchaser must maintain the product under normal operating conditions at all times. Prior to operation, become familiar with the attachment and any disconnect features. This product is not intended to be used in a transport position or to be backed over curbs. When not in use, the product should be removed from the mower and transported in a safe manner. Failure to follow these instructions will void the warranty.




US Patent 6,962,039 B2, US Patent 6,993,894 B2

## Mounting Instructions Simplicity Courier Series Mowers

Congratulations on your new purchase! You are just steps away from creating a beautifully patterned lawn using your new CheckMate™ lawn striping roller. To ensure a long life of both your mower and roller, please be sure to follow the mounting recommendations below.



### Tools Required:

 <p>9/16" Wrench 5/8" Wrench</p>	 <p>1/4" Allen Wrench</p>
---	---



US Patent 6,962,039 B2, US Patent 6,993,894 B2

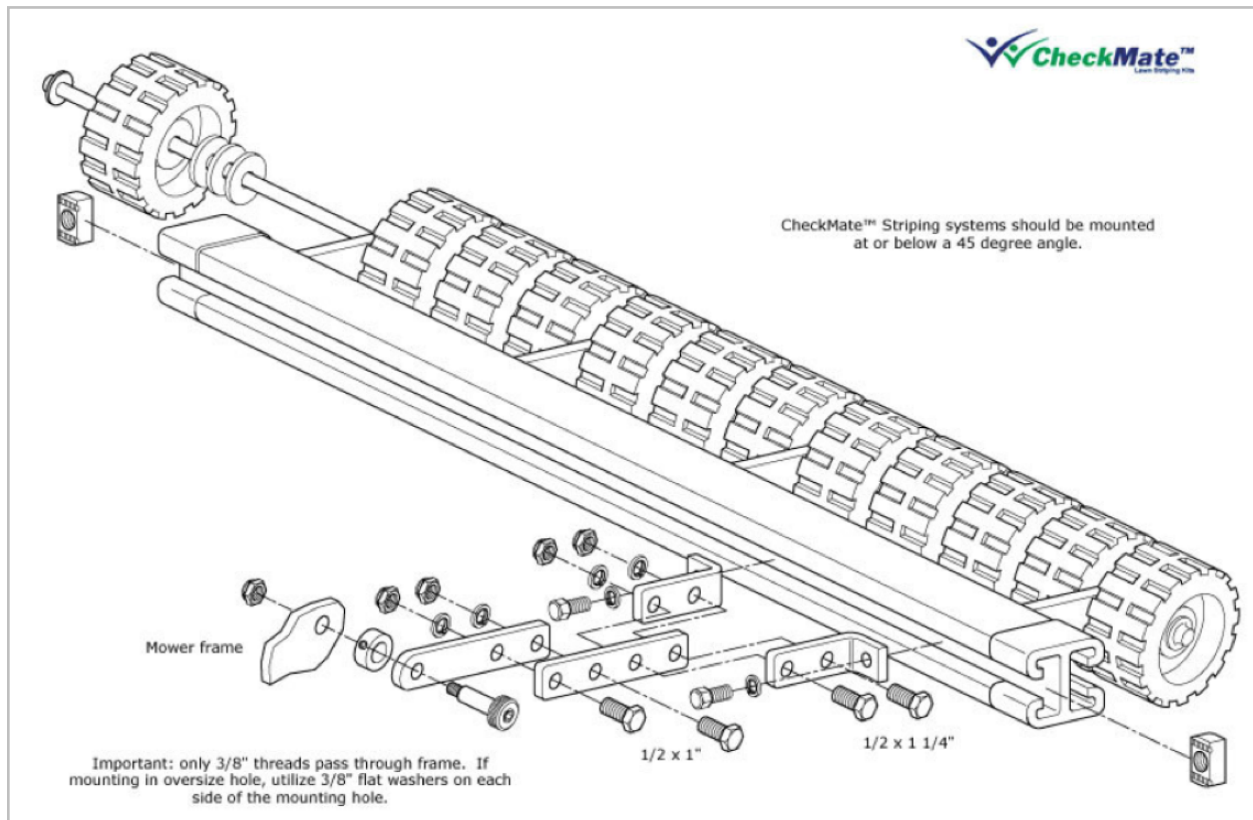
## Directions

Bolt your mounting arms to the circled existing holes on your mowers frame using the provided pivot bolts.

Please utilize Mounting Option D

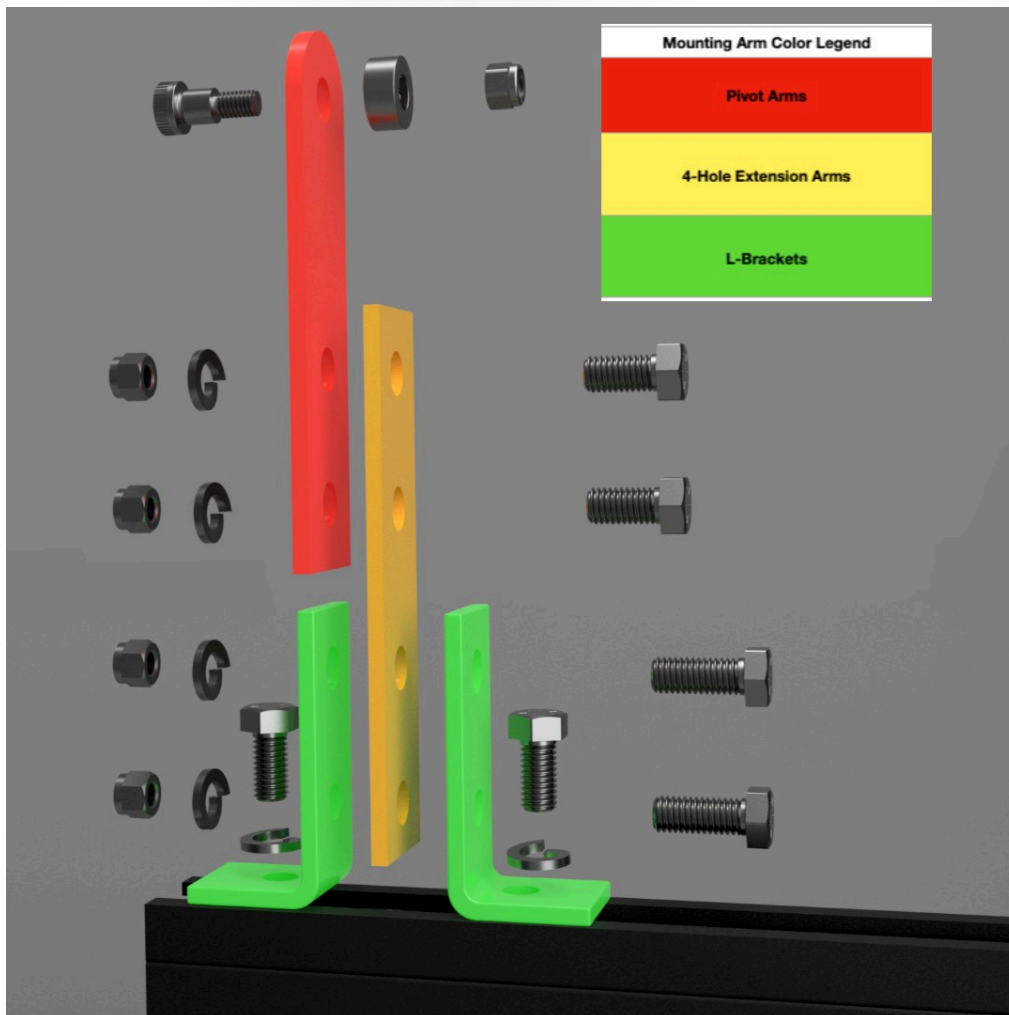
### Mounting Option D

Important: Only the 3/8" threaded portion of your pivot bolt threads pass through the mower frame. If you are mounting to an oversize hole, please place a 3/8" flat washer on the pivot bolt threads to prevent the smooth portion of this bolt from passing through your frame.



## Mounting For Courier / Ferris 500s with Suspension System

If your Simplicity Courier/ Ferris 500s is newer and has the rear suspension arms. You will simply bolt the pivot bolts into the corner of the "L" slot on each side of your engine guard.



### Mounting Arm Color Legend

Pivot Arms

4-Hole Extension Arms

L-Brackets