



CheckMate™ Lawn and Athletic Field Striping Kits

1125 Mac Tech Dr C

◆ Lansing, MI 48906 ◆

800.411.0150

www.bigleaguelawns.com



CheckMate™ Lawn Striping Kit For Scag SFC30 Walk Behind Installation Guide

Important

Big League Lawns, LLC warrants their products to be free of defects in material and workmanship. This warranty does not cover defects due directly or indirectly to misuse, abuse, normal wear and tear, failure to properly maintain the product or used for a purpose other than that for which it is intended. The duration of this warranty is expressly limited to one year parts and labor beginning from the date of delivery to the original customer.

The obligation of Big League Lawns, LLC is limited solely to the repair or replacement, at our option, at its factory or authorized repair agent of any part that should prove deficient. Purchaser must maintain the product under normal operating conditions at all times. Prior to operation, become familiar with the attachment and any disconnect features. This product is not intended to be used in a transport position or to be backed over curbs. When not in use, the product should be removed from the mower and transported in a safe manner. Failure to follow these instructions will void the warranty.





US Patent 6,962,039 B2, US Patent 6,993,894 B2

Mounting Instructions for Scag SFC30 Walk Behind

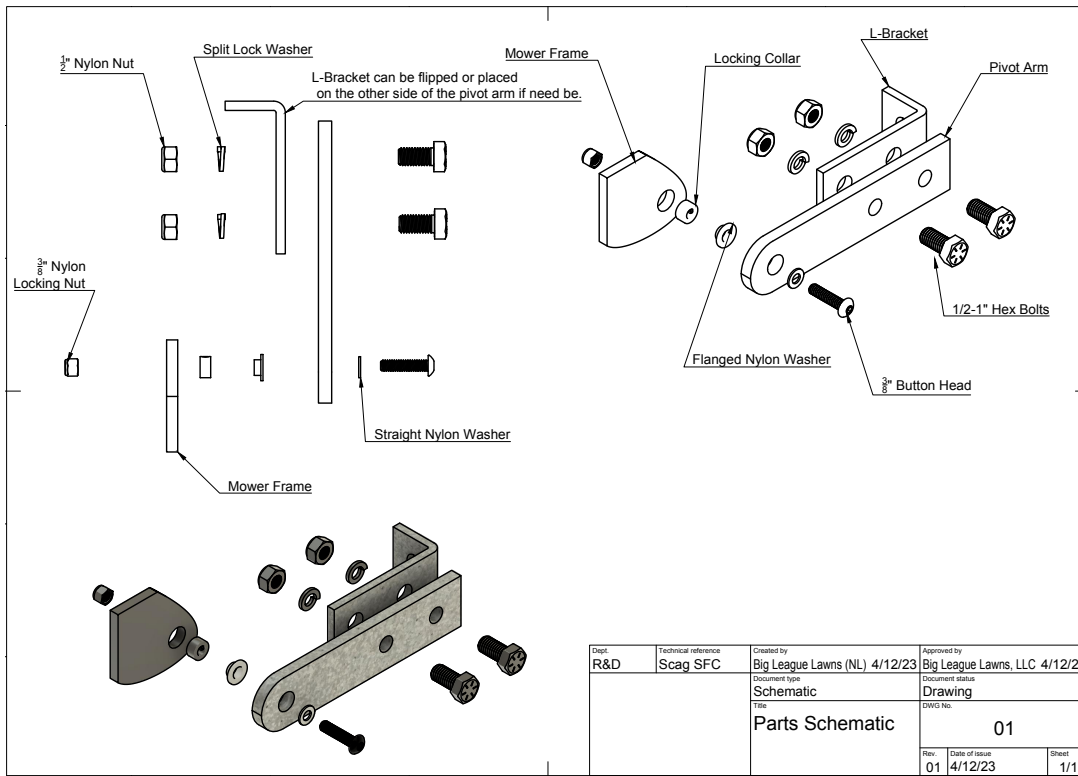
Congratulations on your new purchase! You are just steps away from creating a beautifully patterned lawn using your new CheckMate™ lawn striping roller. To ensure a long life of both your mower and roller, please be sure to follow the mounting recommendations below.

Tools Required:

| | |
|-----------------------------------------------------------------------------------|-------------------------------------------------------------------------------------|
| 3/4" Wrench | 7/32" Allen Wrench (Provided) |
|  |  |

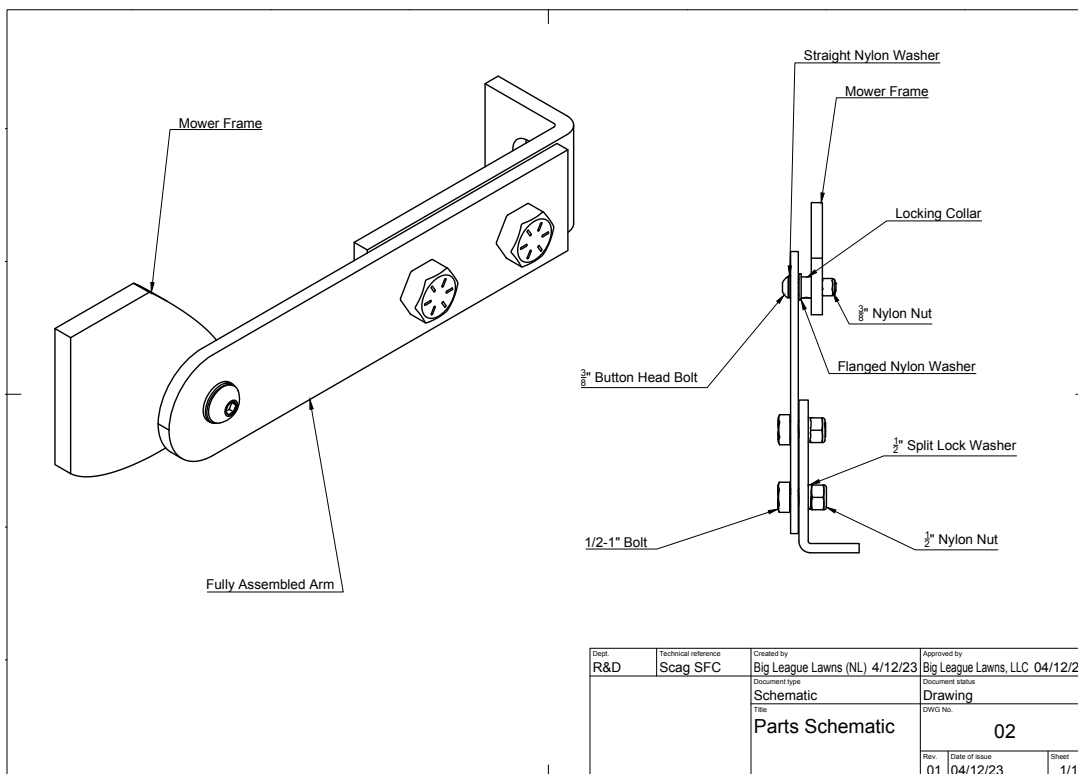
Step 1: Identify Mounting Hole Location (Shown Below):





Step 2: Assemble Mounting Arms

Using the schematic below, assemble your mounting arms in order to connect to your frame in the next step.





US Patent 6,962,039 B2, US Patent 6,993,894 B2

Step 3: Installing Mounting Arms

Align your assembled mounting arms so the Button Head Bolt (on each arm) feeds through its respective mounting hole (on your mower's frame). On the inside, thread the 3/8" nylon locknut onto the exposed threads of the button head mounting bolt. Tighten down using the provided 7/32" Allen key and a 9/16" Wrench.

Once the arms are bolted to your frame, you are ready to install the arms to the striper.

Step 4: Install Mounting Arms to The Striping Kit

Remove preinstalled 1/2" x 1" bolts and lock washers from the striper's gray channel (cross member). Leave the channel nuts in the channel (rectangular nuts with teeth).

Re-insert the bolt (with split lock washer) through the bottom of the L-bracket and thread into the channel nut inside the channel. **(Before tightening bolts all the way down; center roller behind the mower; the channel nuts can slide within the channel to whichever position is required)**

After centering the roller; use a 3/4" wrench to firmly tighten each mounting arm to the striping roller.

Final Steps

Check installation, pick up the roller to confirm it freely pivots up and down.



Installation is now complete! Enjoy striping with your new CheckMate™ Striping kit!