



CheckMate™ Lawn and Athletic Field Striping Kits

1125 Mak-Tech Dr



Lansing, MI 48906



800.411.0150

[www.bigleaguelawns.com](http://www.bigleaguelawns.com)



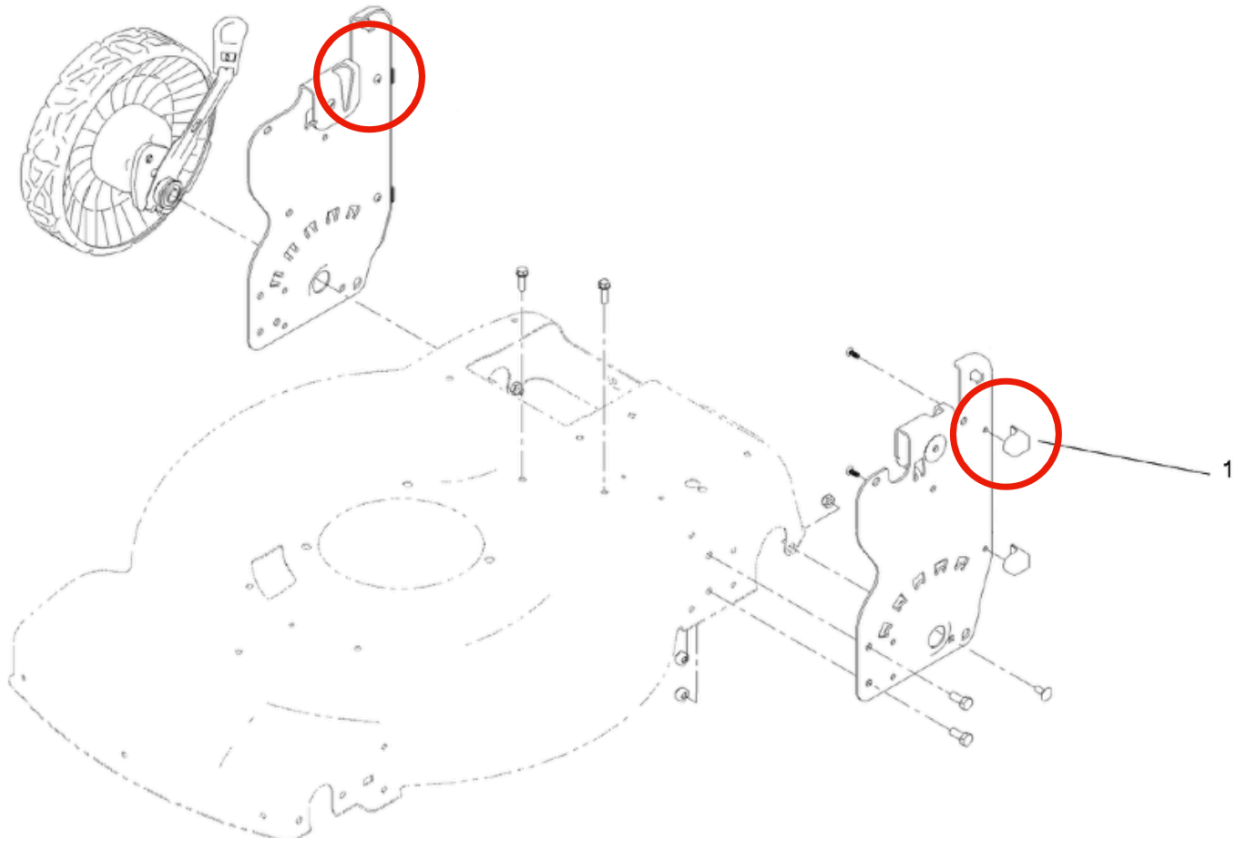
## **CheckMate™ Striping Kit Installation Guide**

For 2021 or Newer Toro® Recycler™/Super Recycler™ Mowers

### **Important**

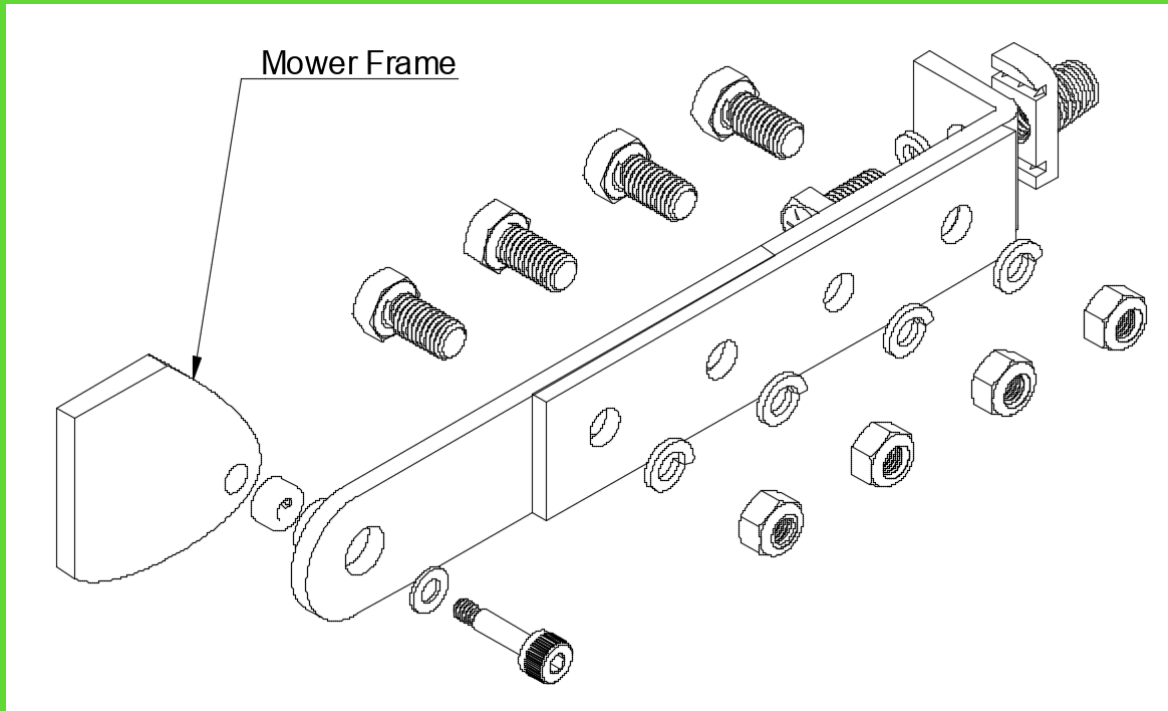
Big League Lawns, LLC warrants their products to be free of defects in material and workmanship. This warranty does not cover defects due directly or indirectly to misuse, abuse, normal wear and tear, failure to properly maintain the product or used for a purpose other than that for which it is intended. The duration of this warranty is expressly limited to one year parts and labor beginning from the date of delivery to the original customer.

The obligation of Big League Lawns, LLC is limited solely to the repair or replacement, at our option, at its factory or authorized repair agent of any part that should prove deficient. Purchaser must maintain the product under normal operating conditions at all times. Prior to operation, become familiar with the attachment and any disconnect features. This product is not intended to be used in a transport position or to be backed over curbs. When not in use, the product should be removed from the mower and transported in a safe manner. Failure to follow these instructions will void the warranty.

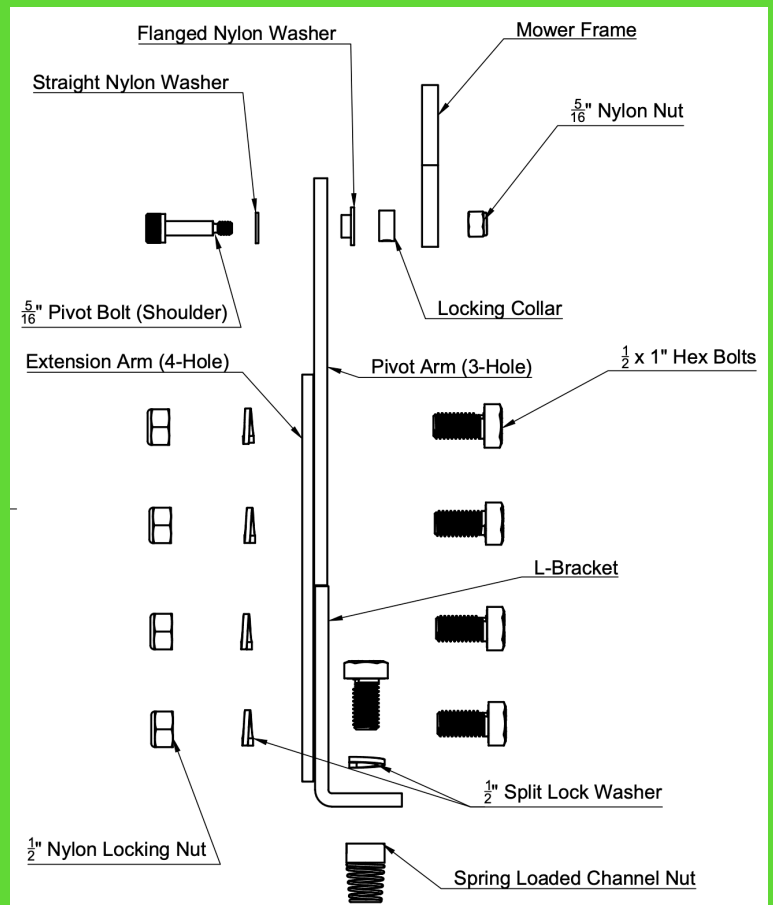


Mounting:

- 1.) The existing 1/4" hole may be occupied by a "vertical storage resting pad". If it is, remove the two top pads. Once your mounting holes are located/ free to use, widen the existing 1/4" hole using a 5/16" drill bit. (a fraction of an inch wider)
- 2.) Once your mounting holes are drilled, see next page to assemble mounting arms.
- 3.) Connect CheckMate™ using side mount method: The mounting bracket bolt (Pivot Bolt) should be inserted through the new hole. (Note that only the threaded portion of the mounting bolt will pass through the hole). Install 5/16" locknut onto threads and firmly tighten.



Parts List	
Part	Quantity
1/2" x 1" Bolt	10
1/2" Split Lock Washer	10
1/2" Nylon Lock Nut	8
3-Hole L-Bracket	2
3-Hole Swivel Bracket (Bolt Assembly Pre-Installed)	2
4-Hole Extension Bracket	2





# BigLeague LAWNS

CheckMate™ Lawn and Athletic Field Striping Kits

